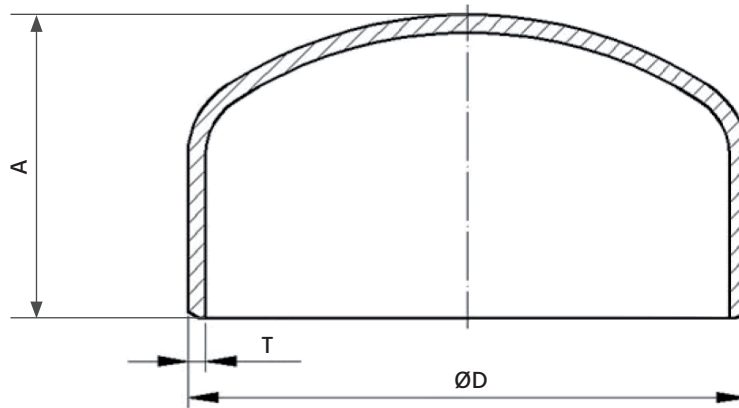


DNA KLENUTÁ | CAPS | ЗАГЛУШКИ

ROZMĚROVÁ TABULKA | DIMENSIONS | РАЗМЕРЫ



Materiál | Material | Материал: P235GH
EN 10253-2

| DN (mm) | D (mm) | T (mm) | A (mm) |
|---------|--------|--------|--------|
| 15 | 21,3 | 2,0 | 25 |
| | | 3,2 | |
| 20 | 26,9 | 2,3 | 25 |
| | | 2,6 | |
| | | 3,2 | |
| | | 4,0 | |
| | | 4,5 | |
| | | 5,6 | |
| | | 8,0 | |
| 25 | 33,7 | 2,6 | 25 |
| | | 3,2 | |
| | | 4,0 | |
| | | 4,5 | |
| | | 5,6 | |
| | | 6,3 | |
| | | 8,8 | |
| 32 | 42,4 | 2,6 | 38 |
| | | 3,6 | |
| | | 4,0 | |
| | | 5,0 | |
| | | 6,3 | |
| | | 8,0 | |
| | | 10,0 | |
| 40 | 48,3 | 2,6 | 38 |
| | | 3,6 | |
| | | 4,0 | |
| | | 5,0 | |
| | | 6,3 | |
| | | 8,0 | |
| | | 10,0 | |
| 50 | 60,3 | 2,6 | 38 |
| | | 3,6 | |
| | | 4,0 | |
| | | 5,6 | |
| | | 7,1 | |
| | | 8,8 | |
| 65 | 76,1 | 2,9 | 38 |
| | | 3,6 | |
| | | 5,6 | |
| | | 7,1 | |
| | | 8,0 | |

| DN (mm) | D (mm) | T (mm) | A (mm) |
|---------|--------|--------|--------|
| 80 | 88,9 | 3,2 | 51 |
| | | 4,0 | |
| | | 5,6 | |
| | | 8,0 | |
| | | 8,8 | |
| 90 | 101,6 | 4,0 | 64 |
| 100 | 114,3 | 3,6 | 64 |
| | | 4,5 | |
| | | 6,3 | |
| | | 8,8 | |
| 125 | 139,7 | 4,0 | 76 |
| | | 5,0 | |
| | | 6,3 | |
| | | 10,0 | |
| | | 11,0 | |
| 150 | 168,3 | 4,5 | 89 |
| | | 5,6 | |
| | | 7,1 | |
| | | 11,0 | |
| 200 | 219,1 | 6,3 | 102 |
| | | 7,1 | |
| | | 8,0 | |
| | | 10,0 | |
| 250 | 273,0 | 6,3 | 127 |
| | | 8,8 | |
| | | 10,0 | |
| 300 | 323,9 | 7,1 | 152 |
| | | 8,8 | |
| | | 10,0 | |
| | | 11,0 | |
| 350 | 355,6 | 8,0 | 152 |
| | | 10,0 | |
| 400 | 406,4 | 8,0 | 178 |
| | | 10,0 | |
| 450 | 457 | 10,0 | 203 |
| | | 11,0 | |
| 500 | 508 | 10,0 | 229 |
| | | 11,0 | |